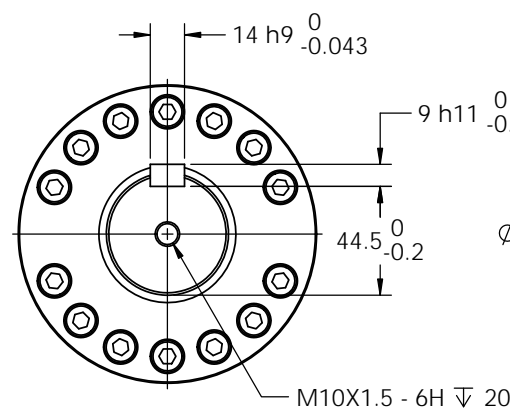
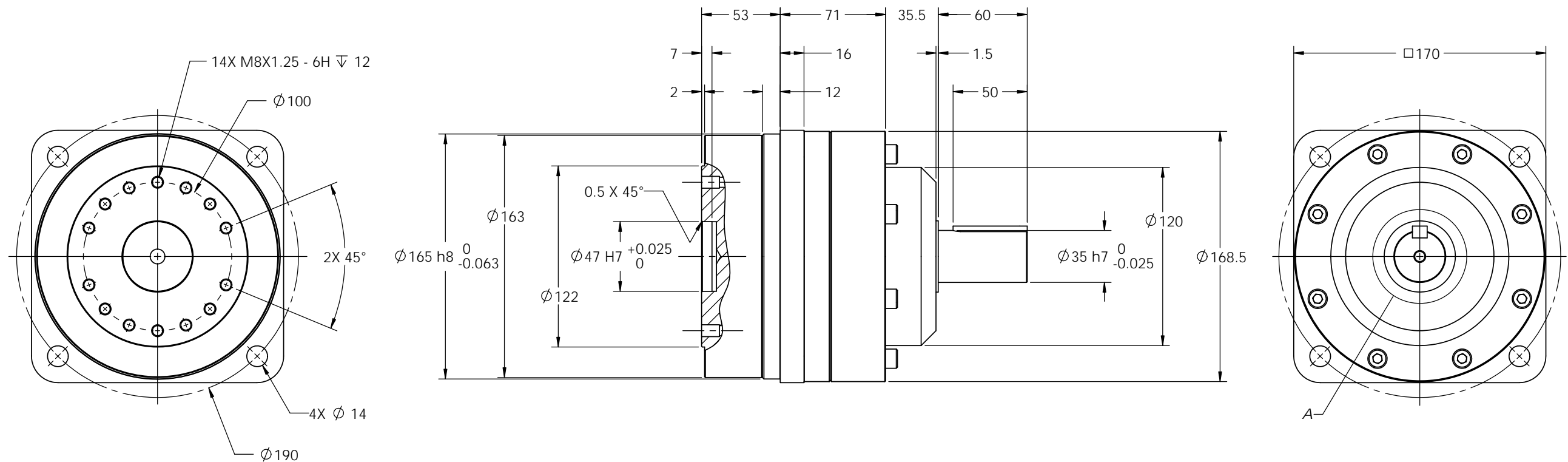
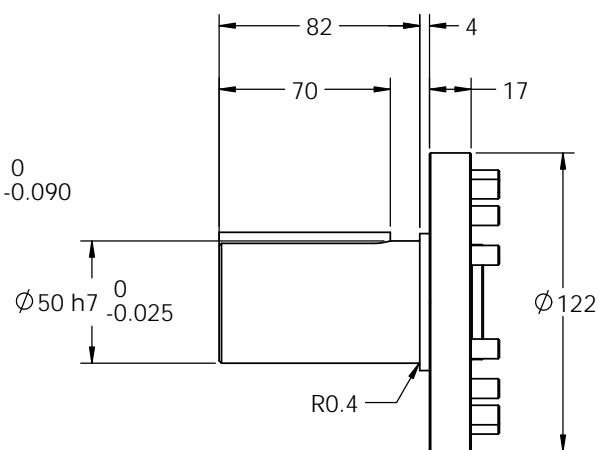


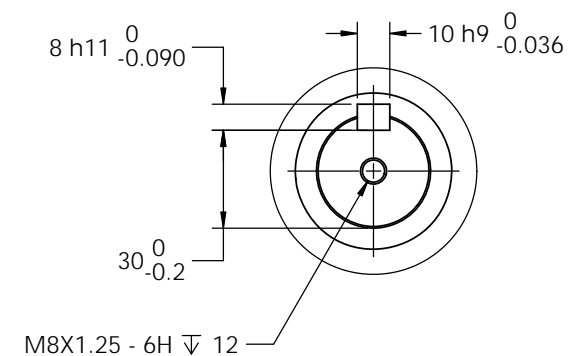
REVISIONS					
REV	ECA NO.	BY	CHKD	APPD	DATE
1	---				



OUTPUT SHAFT VIEW  
-J6 CONFIGURATION SHOWN



OUTPUT CONFIGURATIONS	
-AA	DESCRIPTION
-F0	FLANGE ONLY
-J2	$\phi 50$ mm PLAIN SHAFT
-J6	$\phi 50$ mm SHAFT w/ KEY AND TAPPED HOLE



DETAIL A  
INPUT SHAFT VIEW  
SCALE 1 : 1.5

NOTES:

- DESIGN AND/OR HANDLING MUST BE IN COMPLIANCE WITH TECHNICAL INFORMATION FOUND IN HD CATALOG.

<b>PROPRIETARY AND CONFIDENTIAL</b>  THIS DRAWING CONTAINS VALUABLE CONFIDENTIAL AND PROPRIETARY TRADE SECRET INFORMATION OF HARMONIC DRIVE LLC. COPYING, DISCLOSING, OR USING THIS INFORMATION WITHOUT THE EXPRESS WRITTEN AUTHORIZATION OF HARMONIC DRIVE LLC IS PROHIBITED.	ISSUE DATE	
	CONTRACT NO.	
	DRAFTSMAN	CHECKER
	MAT'L ENG	DESIGN ENG
	MFG. ENG.	QUALITY
	SUBMITTED	
MATERIAL:		
SIMILAR TO		



**HARMONIC DRIVE LLC**  
 247 LYNNFIELD STREET  
 PEABODY MASS 01960-4905  
 www.harmonicdrive.net

TITLE:			
INSTALLATION DRAWING HPG-32A-XX-AAU1			
SIZE	FSCM	DWG. NO.	REV
<b>C</b>	<b>34519</b>	HPG-50A-U1	<b>1</b>
SCALE: 1:2		WEIGHT:	SHEET 1 OF 1