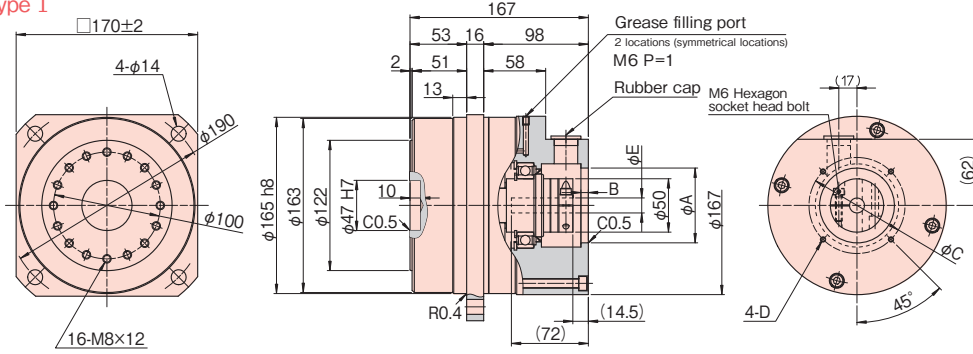


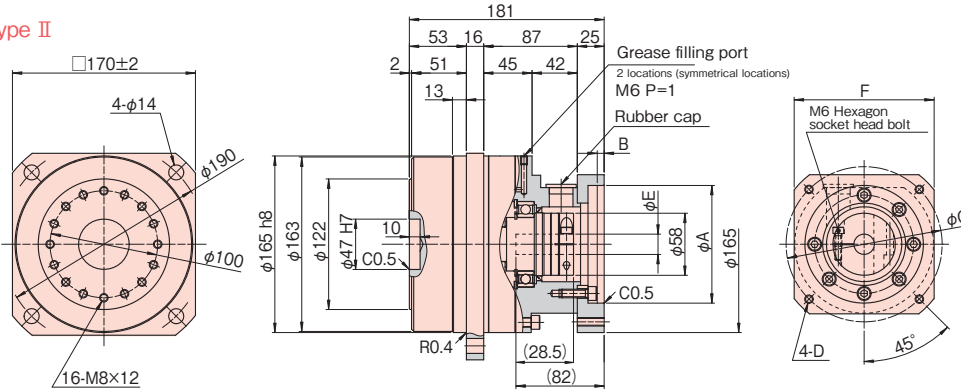
CSF-45-xx-GH

(Unit: mm)

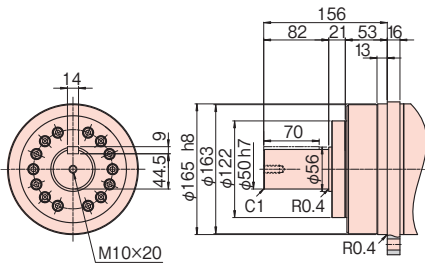
Flange Type I



Flange Type II



Output shaft shape: J2 (Straight shaft, without key)
J6 (Straight shaft, with key, with center tap)



Measurement Table

(Unit: mm) Table 056-1

	Shape ¹ symbol	A(H7)	B	C	D	E(H7)		F	Mass (kg) ²	
						Min	Max		Shaft output	Flange output
Flange Type I	PA□	70	7	90	M5x12	14	24	-	17.3	14.3
	PB□				M6x14					
	PC□				M8x20					
	PD□	8	115	M8x20						
	PE□				130					
	PG□									
Flange Type II	PR□	110	6.5	145	M8x20	19	24	□130	16.7	13.7
	PP□	114.3		200	M12x25					
	PQ□	130		165	M10x25					

Dimensions of only typical products are shown. Please contact us for dimensions of products not listed above.

Check details of the dimensions and shape with the delivered specifications.

Contact us for information on special installation method.

*1: A symbol for input shaft coupling is supplied in "□" in shape symbols. See matching tables on pages 059 to 169.

*2: The mass varies slightly depending on the reduction ratio and on the inside diameter of input shaft coupling.

Notice:

All specifications and dimensions shown in the drawing are subject to change without notice. This drawing is the property of Harmonic Drive LLC. This data is believed to be accurate, however, Harmonic Drive LLC assumes no liability for any errors or omissions in the specifications, models or drawings.

Harmonic Drive LLC
Tel: 800-921-3332
www.harmonicdrive.net



Harmonic Drive LLC
Tel: 800-921-3332
www.harmonicdrive.net